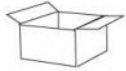
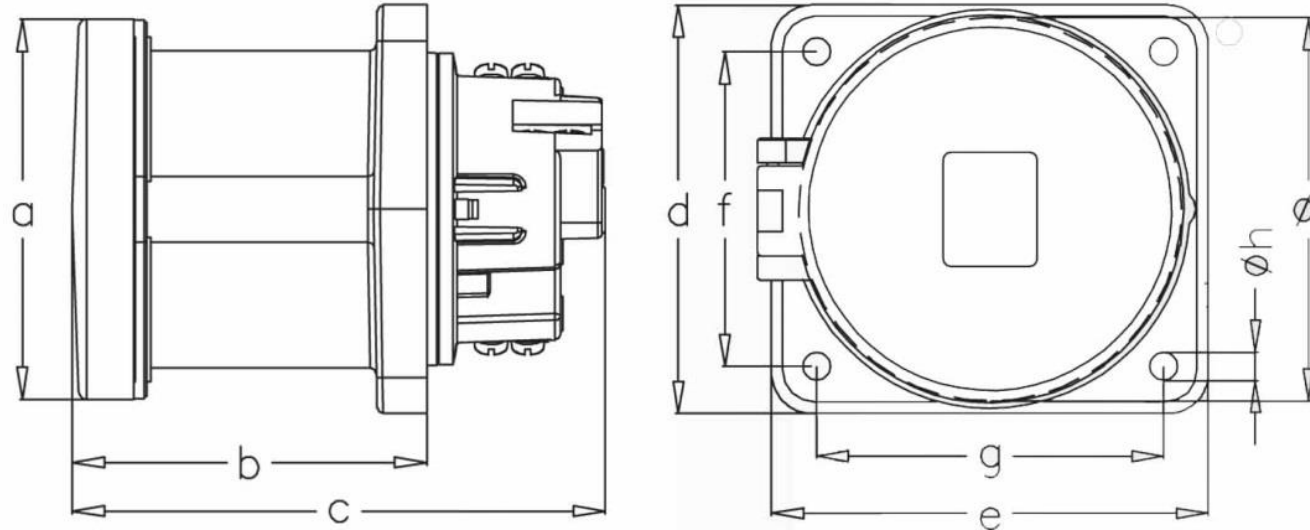


■ 3131-322-1600 - CEE - 4x63A / IP44 DÜZ MAKİNE PRİZİ  
CEE - 4x63A / PANEL MOUNT SOCKET OUTLET (IP44)



Ambalaj Mik.  
Pack Unit

4



Ağırlık  
Weight

450

**Ölçüler / Dimensions**

a	93	e	107
b	90	f	77
c	134	g	85
d	100	Øh	7
Øl	85		
Kablo Çapı / Cond. Dia. (mm <sup>2</sup> ) (min.)		6.0	
Kablo Çapı / Cond. Dia. (mm <sup>2</sup> ) (max.)		16.0	