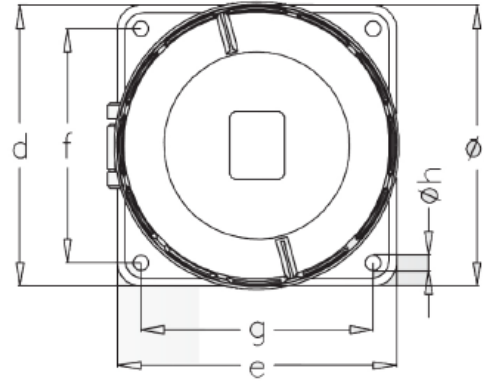
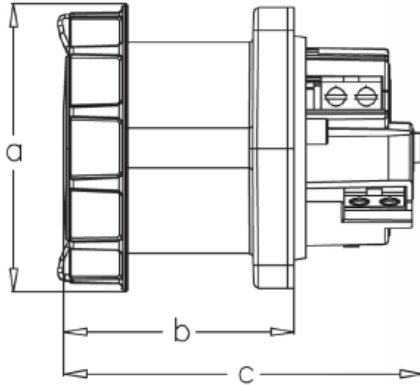


**3137-322-1600 - CEE - 4x125A / IP67 DÜZ MAKİNE PRİZİ**  
**CEE - 4x125A / PANEL MOUNT SOCKET OUTLET (IP67)**



Ambalaj Mik.  
Pack Unit

2



Ağırlık  
Weight

650

**Ölçüler / Dimensions**

a	123	e	120
b	100	f	100
c	155	g	100
d	120	Øh	7
Øl	95		
Kablo Çapı / Cond. Dia. (mm <sup>2</sup> ) (min.)			16.0
Kablo Çapı / Cond. Dia. (mm <sup>2</sup> ) (max.)			50.0