

Technical Data Sheet

Date: 04/26/2022

Angled Surface Mount App. Inlet

Ref. No: 3101-407-0900



Pack Unit

5



Weight

261 gr.



Technical Informations

Version	French
Ampere	16A
Voltage	250 V. AC
Protection Class	IP 68
Number Of Poles	3 (2P + E)
Contact Material	Nickle Plated
Contact Carrier	PC
Plastic Material	Thermoplastic Elastomer
Connection Type	Screw
Operation Temperature	-15 / +70 (±2)



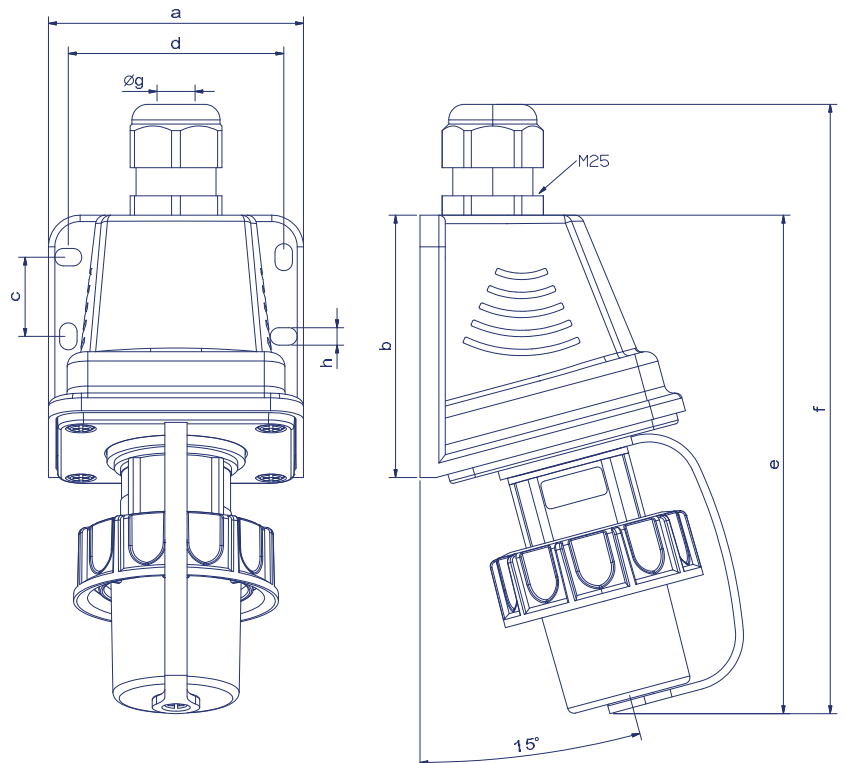
Compliance with European Union 2011/65 /EU RoSH Directives



TS IEC 60884-1 / TS 40 NATIONAL

Dimensions

a	80,5
b	83
c	25
d	68
e	157
f	192
Øg	max. 14
h	5,5



Tel: +90 232 880 90 01
Fax: +90 232 880 90 02



info@tpelectric.com.tr



Kemalpaşa O.S.B. 600 Sk. No:364
35730 Kemalpaşa - İZMİR / TÜRKİYE